

FIG. 2A

OIP E
FEB 0 5 2003
PATENT & TRADEMARK OFFICE

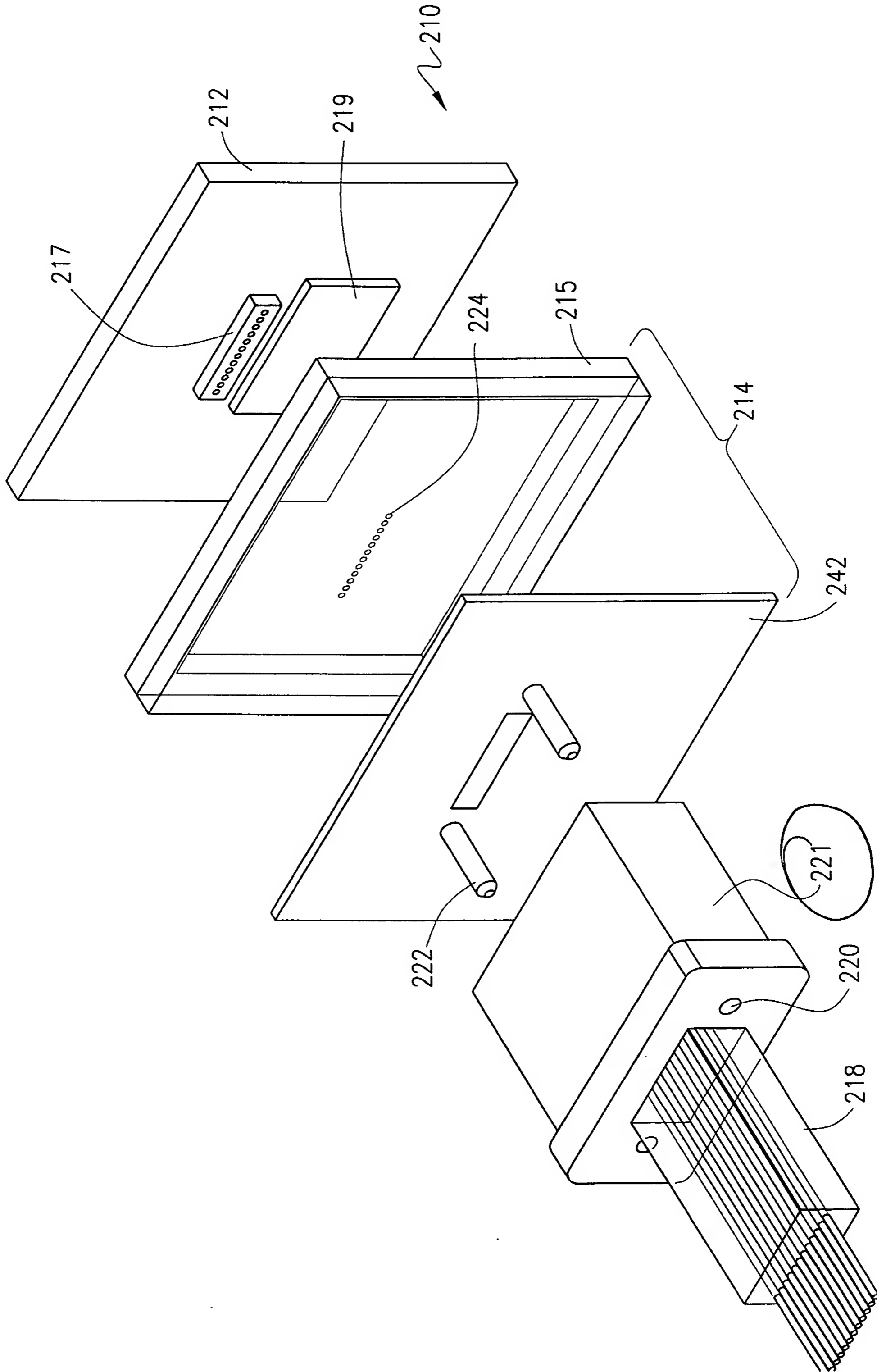


FIG. 2B